

**MOD8I/A: 8 digital input module for NO contacts in modular housing**

MOD8I/A modules allow to transmit, through the **CONTATTO** bus, 8 ON-OFF signals derived, e.g., from push-buttons, limit switches, proximity switches, etc.

The input contacts must be free of any potential and must be supplied by the reference voltage provided by the module itself.

MOD8I/A modules have a 9-terminal block for the input connections and a 5-terminal block for the connection to the 4 wires bus; the 5th terminal is used by the addresses programmer only.

On the front panel, 8 red LEDs show the input status and a green LED signals the power on condition.

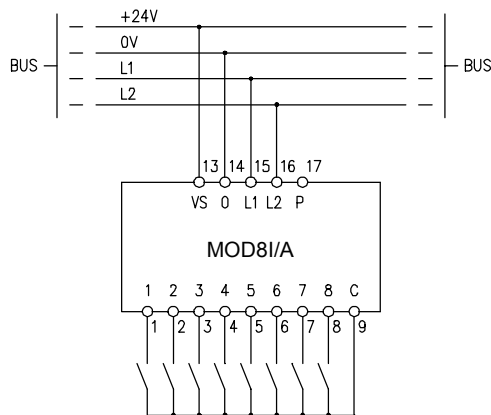
A label on the front panel is reserved to write the address programmed in the module for an immediate visual identification.

**Address programming**

For proper operation, an input address in the range 1 to 127 has to be assigned to MOD8I/A module using FXPRO programmer..

**Wiring diagram**

MOD8I/A module allows the connection to potential-free contacts supplied by the 24Vdc common signal provided by the module (terminal 9) as in the following diagram.



**Note:** the input section cannot be electrically insulated from the bus supply.

**Technical characteristics**

Supply voltage	24V $\pm$ 25% SELV
MAX current consumption	60mA
Current for each input	5mA @ 24Vdc
Allowed input voltage	10 $\div$ 40Vcc
Operating temperature	-10 $\div$ +50 °C
Storage temperature	-30 $\div$ +85 °C
Protection degree	IP20

**Outline dimensions**

